

InGaAs PIN Photodiode Module With Pigtail Connection

Data Sheet

OPD1151-FC

Features

- Hermetically sealed
- Low dark current: 1nA
- High Quantum Efficiency: 0.8A/W
- Singlemode FC/PC connector
- Spectral Response Range: 1100nm to 1630nm
- Operating Temperature: 0° ~ 75° C

Applications

- Telecom and datacom networking systems
- Optical transmission systems: SONET OC-3/ STM-1
- Subscriber loop
- LAN

Description

The OPD1151-FC is a hermetically sealed InGaAs PIN photodiode module in a small coaxial type package with FC/PC connector.

The photodiode is designed for use in data communications systems and telecommunications systems over singlemode fiber, and can operate in temperatures of 0° C to 75° C. The photodiode module is designed for data transmission with a minimum bandwidth of 1 GHz between spectral bandwidths of 1100 to 1630 nm.

Safety

Device contains gallium arsenide (GaAs) which can be hazardous to your health. Please embrace all customary precautions and discretion while handling this device. Observe governmental laws and regulations when discarding this device.

Performance Specifications

Absolute Maximum Ratings

Stresses in excess of the absolute maximum ratings can cause damage to the optical device. Operations of the optical device are suggested to remain within the recommended operating conditions. Exposure to the absolute maximum ratings for extended periods can adversely affect device reliability.

Parameter	Symbol	Value	Unit
Storage Temperature	T_{stg}	-40 to +85	°C
Operating Case Temperature	T_{op}	0 to +75	°C
Peak Optical Output Power	P_o	5	mW
PD Reverse Voltage	V_{RD}	20	V
PD Forward Current	I_{FD}	10	mA
Soldering Temperature	S_{temp}	260	°C
Soldering Time	S_{time}	10	sec

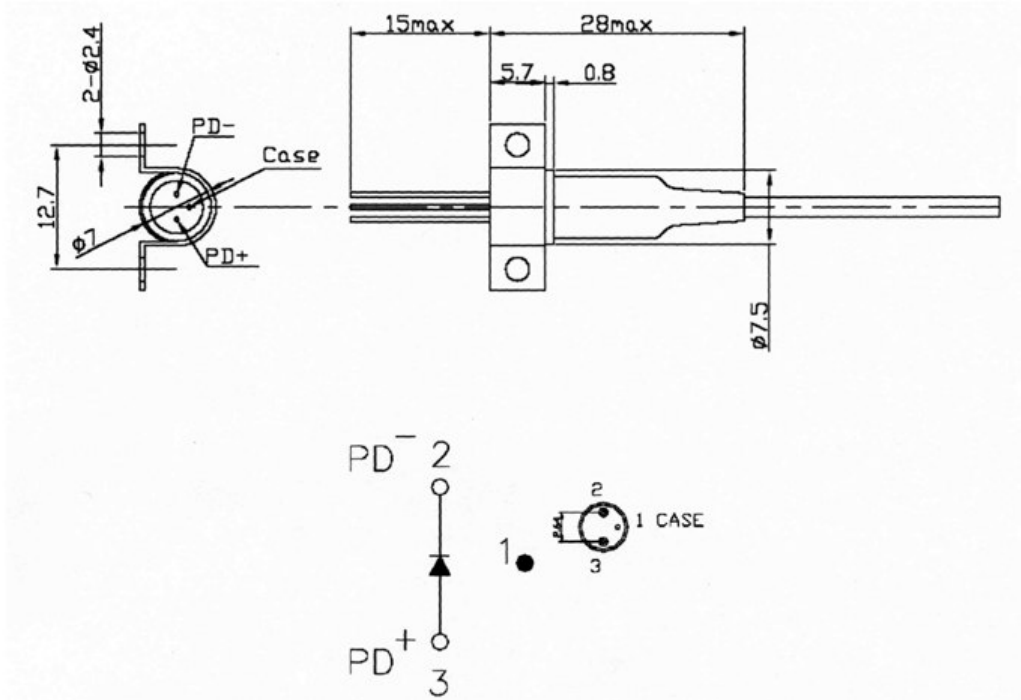
Electrical and Optical Characteristics ($T_C=25\text{ }^\circ\text{C}$ unless otherwise noted)

Parameter	Symbol	Condition	Min	Typ	Max	Unit
Wavelength	λ		1100	1310	1630	nm
Bandwidth	BW	$V_R = 5V$	1	-	-	GHz
Responsivity	R	1310 nm, $V_R = 5V$, $P_{IN} = 100\ \mu W$	0.8	0.85	-	A/W
Dark Current	I_d	$V_R = 5V$	-	-	1	nA
Capacitance	C	$V_R = 5V$	-	0.75	0.9	pF
Rise/Fall Time	T_R/T_F	$V_R = 5V$, 20% ~ 80%	-	-	300	ps

Physical Characteristics

Outline Diagram

Dimensions for the device package are given in millimeters.



Additional Information

Contact

For additional information, product specifications, or information about Optocom:

Internet: <http://www.optocom.com>
Email: sales@optocom.com
Tel: +1 978 988 8711
Fax: +1 978 988 8722

©2005 Optocom Corporation. All rights reserved. Information in this document is believed to be accurate and reliable and is subject to change without notice. Optocom Corporation will not be held liable for technical or editorial errors or omissions contained herein. Reproduction in whole or in part is prohibited without prior written consent of the copyright owner and no responsibility will be assumed by Optocom Corporation for any infringements of third parties. All other brand or product names mentioned are the trademarks or registered trademarks owned by their respective companies or organizations.