

InGaAs PINTIA Photodiode Module With FC Receptacle

Data Sheet

OPX1355-FRE

Features

- Hermetically sealed
- Data Rates: up to 1.25 Gbps
- High Sensitivity: -24 dBm
- FC Receptacle with TO-46
- Spectral Response Range: 1270nm to 1625nm
- Single Power Supply: +3.3 V to +5.0 V
- Operating Temperature: -40° - +85° C

Applications

- Telecom and datacom networking systems
- Optical transmission systems: SONET OC-3/ STM-1, OC-12/ STM-4, OC-24/ STM-8
- LAN

Description

The OPX1355-FRE is a hermetically sealed InGaAs PINTIA photodiode module in a small TO-46 package with FC receptacle.

The photodiode is designed for use in data communications systems and telecommunications systems over singlemode fiber, and can operate in temperatures of -40° C to +85° C. The photodiode module is designed for data transmission of up to 1.25 Gbps between spectral bandwidths of 1270 to 1625 nm.

Safety

Device contains gallium arsenide (GaAs) which can be hazardous to your health. Please embrace all customary precautions and discretion while handling this device. Observe governmental laws and regulations when discarding this device.

Performance Specifications

Absolute Maximum Ratings

Stresses in excess of the absolute maximum ratings can cause damage to the optical device. Operations of the optical device are suggested to remain within the recommended operating conditions. Exposure to the absolute maximum ratings for extended periods can adversely affect device reliability.

Parameter	Symbol	Value	Unit
Storage Temperature	T_{stg}	-40 to +85	°C
Operating Case Temperature	T_{op}	-40 to +85	°C
Peak Optical Power	P_O	0	dBm
Power Supply Voltage	V_P	6.0	V
Soldering Temperature	S_{temp}	260	°C
Soldering Time	S_{time}	10	sec

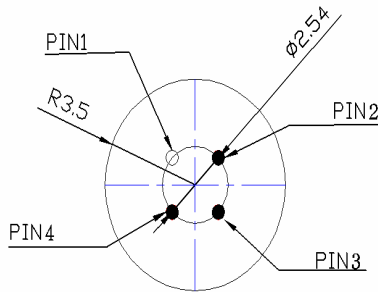
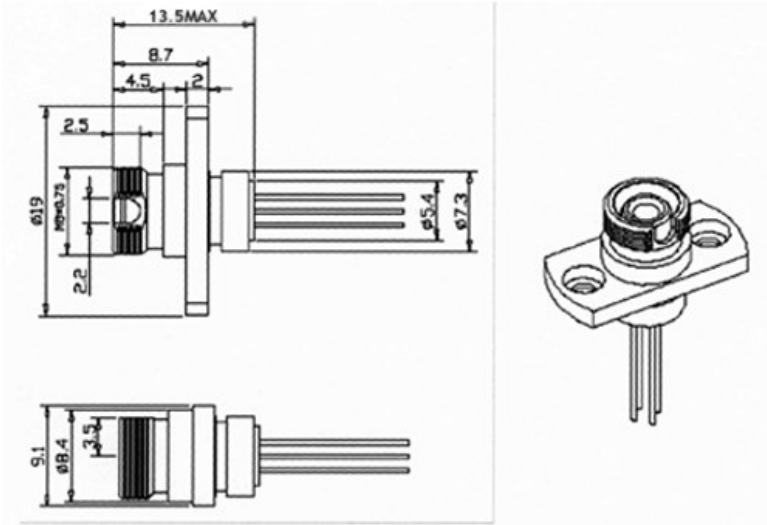
Electrical and Optical Characteristics ($T_C=25\text{ }^\circ\text{C}$ unless otherwise noted)

Parameter	Symbol	Condition	Min	Typ	Max	Unit
Supply Voltage	V_{CC}		3.0	3.3	5.5	V
Supply Current	I_{CC}	$P_{IN} = 0\mu\text{W}$, $R_L = 50\Omega$		26	50	mA
Output Voltage (differential)	V_{OUT}	$P_{IN} = 10\mu\text{W}$, $R_L = 50\Omega$		200		mV
Wavelength	λ		1270	1310	1625	nm
Upper -3dB Bandwidth	BW	$R_L = 50\Omega$	750	920	1100	MHz
Responsivity	R	$\lambda = 1310\text{ nm}$, $R_L = 50\Omega$, $P_{IN} = 10\mu\text{W}$, AC Coupled		2500	3500	mV/W
Sensitivity	S	$\lambda = 1310\text{ nm}$, 155 Mbps, $2^{23}-1$ PRBS, BER = 10^{-10}		-24	-22	dBm
Rise/Fall Time	T_R/T_F	$V_{CC} = 3.3\text{V}$, 20% - 80%	200	300	400	ps

Physical Characteristics

Outline Diagram

Dimensions for the device package are given in millimeters.



PIN1 : GND
PIN2 : Non-Inverted Output
PIN3 : Vcc
PIN4 : Inverted Output

Additional Information

Contact

For additional information, product specifications, or information about Optocom:

Internet: <http://www.optocom.com>

Email: sales@optocom.com

Tel: +1 978 988 8711

Fax: +1 978 988 8722

©2005 Optocom Corporation. All rights reserved. Information in this document is believed to be accurate and reliable and is subject to change without notice. Optocom Corporation will not be held liable for technical or editorial errors or omissions contained herein. Reproduction in whole or in part is prohibited without prior written consent of the copyright owner and no responsibility will be assumed by Optocom Corporation for any infringements of third parties. All other brand or product names mentioned are the trademarks or registered trademarks owned by their respective companies or organizations.